

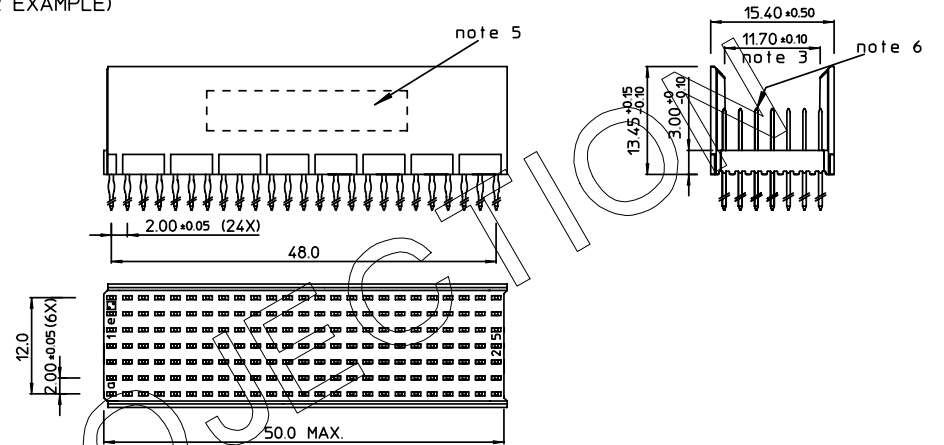
GEN. ST.	01	02	03	04	05	06	07	08	0D	50	60	70	80	90																	
INT. ST.	10	11	12	13	14	18	20	31	32	33	34	38	39	40	42	43	44	45	46	48	56	70	72	73	75	76	81	82	83	84	88

REV.	DATE	DESCRIPTION	BY	C'K'D'
A	2001-09-14	CONVERSION REVISION 02	KN	
B	2002-05-28	EC B20086	MF	
C	2005-11-07	105-0218	VIVEK	BKP
D	2006-08-02	106-0118	ALEX B	BKP

LOADING PATTERN MATING SIDE

f	6	6	6	6	6	6	6	6	6	6	K	K	K	K	K	6	6	6	6	K	K	K	K	K	K
e	4	4	4	4	4	4	4	4	4	4	7	7	7	7	7	4	4	4	4	7	7	7	7	7	7
d	4	4	4	4	4	4	4	4	4	4	7	7	7	7	7	4	4	4	4	7	7	7	7	7	7
c	4	4	4	4	4	4	4	4	4	4	4	4	4	4	4	4	4	4	4	7	7	7	7	7	7
b	4	4	4	4	4	4	4	4	4	4	7	7	7	7	7	4	4	4	4	7	7	7	7	7	7
a	4	4	4	4	4	4	4	4	4	4	7	7	7	7	7	4	4	4	4	7	7	7	7	7	7
z	0	0	0	0	0	0	0	0	0	0	0	0	0	0	0	0	0	0	0	0	0	0	0	0	0
P	0	0	0	0	0	0	0	0	0	0	0	0	0	0	0	0	0	0	0	0	0	0	0	0	0
S	1	5	1	5	2	5	2	5	2	5	2	5	2	5	2	5	2	5	2	5	2	5	2	5	2

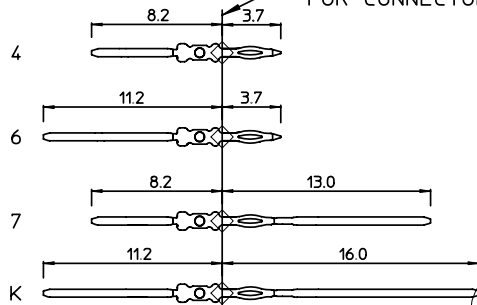
LOADED CONNECTOR ASSEMBLY
(FOR EXAMPLE)



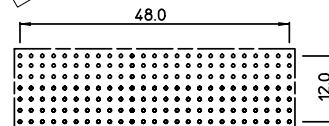
SHEET NR. : 971

CONTACT OVERVIEW

SEATING PLANE FOR CONNECTOR



LAY-OUT P.C.B.-HOLE



EUROPEAN PRO

LEAD FREE INDICATOR : LF = LEAD FREE
(DIGIT 15 & 16)

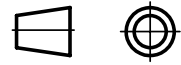
HM2P08PKJ2F5

PLATING CODE (DIGIT 13 AND 14)
(REF DWG No. BS,C ,201844,003)

NOTES:

- THIS PRODUCT IS CSA APPROVED.
- THIS PRODUCT IS UL RECOGNIZED.
- MEASURED AT THE BOTTOM.
- MATERIAL CONTACT: PHOSPHORBRONZE
HOUSING: CREAM WHITE GLASSFILLED POLYESTER UL-94V0
- CONNECTOR PRINTED WITH P/N AND DATE CODE.
- FOR ACTUAL CONTACT LOADINGS, SEE LOADING PATTERN MATING SIDE.
- SHAPE OF CONNECTOR HOUSING CAN ALTER DEPENDING ON PRODUCTION LOCATION.
- THE PRODUCT (LF) MEETS EUROPEAN UNION DIRECTIVES AND OTHER COUNTRY REGULATIONS AS DESCRIBED IN GS-22-008
- FOR RECOMMENDED PTH DIMENSIONS REFER DRAWING : BS,A ,201572,001

1DEC ±0,2 2DEC ±0,1 ANGLES ±1°	APPR.	DATE	SIGN.	LOADING PATTERN OVERVIEW
	DRAFT	13-12-99	M.Fret	CAT. No. HM2P08PKJ2F5----
	CHECKED			
WE RESERVE THE RIGHT TO CHANGE DIMENS'ONS OR REQUIREMENTS WITHOUT PRIOR NOTICE.	PRD. MGR.			FCJ www.fciconnect.com
	PR.ENG.MGR.			
ALL DIMENSIONS IN MM	PR.MGT.MGR.			SCALE



REFERENCES

BS,C ,201843,888 D